



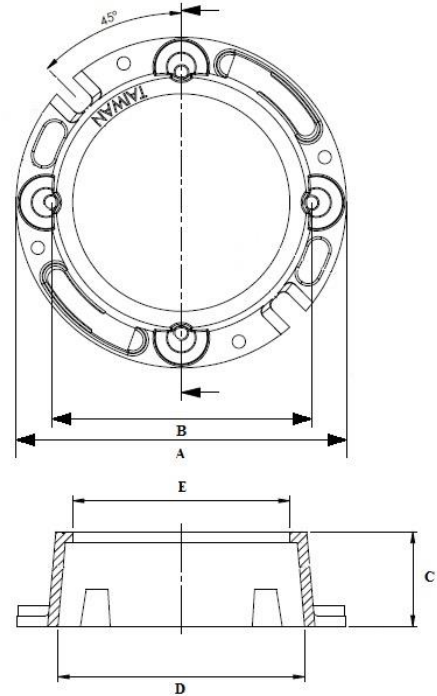
4700 W. 160th St.  
Cleveland, OH 44135  
PH:800-321-9532  
FX:800-321-9535  
www.oatey.com

**TECHNICAL SPECIFICATION**

**CAST IRON  
CLOSET FLANGE**



**TECHNICAL SPECIFICATION:** Oatey Cast Iron Closet Flanges are designed for use on plastic or heavy weight, no hub or service weight soil pipe. Does not require caulking. Comes complete with body, brass ring, bolts and gasket.



**PHYSICAL/CHEMICAL PROPERTIES**

Material/Color      ABS Plastic = Black  
                               PVC Plastic = White  
                               Cast Iron= Red

**DIRECTIONS FOR USE**

For use on the outside of pipe. Place over pipe so that gasket secures to the pipe. Tighten integrated fasteners to pipe to secure closet flange. Use fasteners to secure flange to sub-flooring and add closet bolts to secure toilet fixture.

Size	A	B	C	D	E
3"	6.95"	6.05"	2.0"	4.21"	3.57"
4"	6.70"	5.46"	2.0"	5.31"	4.72"

PRODUCT NUMBER	DESCRIPTION	PACK	CARTON WEIGHT
42253	3" Cast Iron Flange w/o test cap	6	25
42255	4" Cast Iron Flange w/o test cap	6	25
42256	4" Cast Iron Flange w/ test cap	6	25