



4700 W. 160th St.
Cleveland, Ohio 44135
Ph: (800) 321-9532
Fax: (800) 321-9535
www.oatey.com

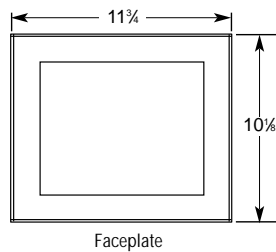
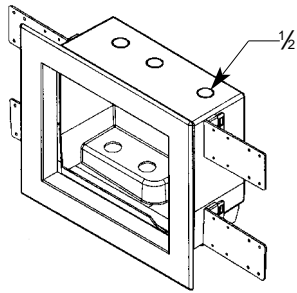
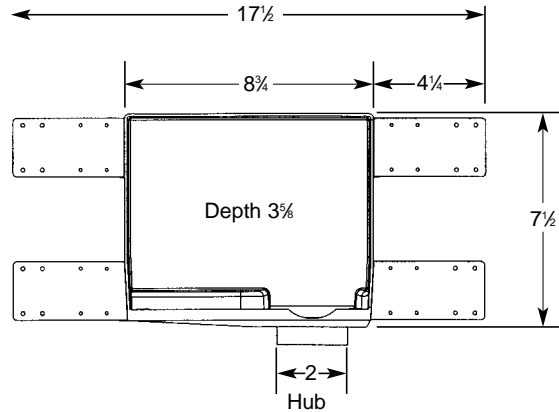
Offset Drain Washing Machine Outlet Boxes



SUBMITTAL SPECIFICATION

Engineering Specification: Oatey Offset Drain Washing Machine Outlet Boxes can be used in commercial or residential applications which require supply valves and waste drain recessed into the wall. Available water hammer arrestor option provides water pressure shock arrestors required for installation on supply lines to quick closing valves.

Job Reference



(All dimensions in inches)

- 2" drain opening fits PVC or ABS Sch. 40 DWV pipe
- All washing machine outlet boxes are shipped 12 per carton
- Box made of high impact polystyrene
- 4 support brackets included for mounting
- Easy to remove 1/2" top mount knockouts
- Snap-on faceplate frame accommodates up to 1" drywall
- Easy to remove drain test cap
- Allows for right hand drain

✓	Prod. No	Description
	38791	Plain Box - Standard Pack
	38892	Single Lever Valve - Copper Sweat - Standard Pack - Floating Valve
	38894	Single Lever Valve - Copper Sweat - Standard Pack
	38898	Single Lever Valve - ASTM F1807 PEX - Standard Pack
	38899	North American Single Lever Valve - Copper Sweat - Standard Pack
	38913	1/4 Turn Brass hammer Ball Valves - CPVC - Standard Pack
	38957	1/4 Turn Brass Hammer Ball Valves - Copper Sweat - Standard Pack
	38958	1/4 Turn Brass Ball Valves - Copper Sweat - Tract Pack - Top Mount
	38959	Single Lever Ball Valve - Copper Sweat- Contractor Pack - Top Mount
	38960	Single Lever Ball Valve - CPVC - Standard Pack
	38962	1/4 Turn Brass Ball Valves - Copper Sweat - Standard Pack
	38822	Single Lever Ball Valve
	38970	1/4 Turn Brass Hammer Ball Valves- Copper Sweat - Display Box
Accessories		
	38941	Plastic Faceplate for Quadtro, Center and Offset WMOB
	38768	Plastic Brackets, 4" long, for plastic boxes
	38648	Plastic Brackets, 12" long, for plastic boxes



Data is subject to manufacturing tolerances.

Valves meet ASME A112.18.1
Water hammer arrestors meet ASSE Standard 1010.

Visit www.oatey.com for updates.