



Design Specifications
FIREMASTER™
Fire-Rated Washing Machine Outlet Box

1) Wall Construction

- Wood or metal studs
- 1-hour fire-rating, single layer of 5/8" gypsum
- 2-hour fire-rating, two layers of 5/8" gypsum

2) Box Mounting

- Box should be mounted to studs using supplied adjustable mounting brackets
- Brackets must be securely mounted to stud walls with nails or screws
- Adjustable mounting brackets accommodate stud wall spacing from 16" to 24"

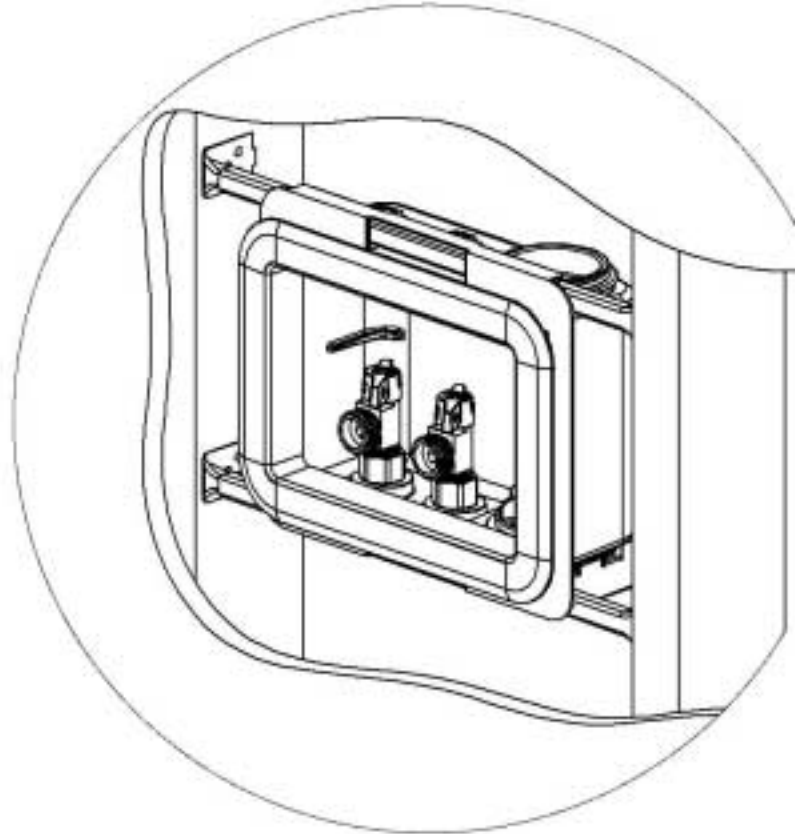
3) Valves

- Single lever brass ball valve with or without water hammer arrestor
- 1/4-turn brass ball valve with or without water hammer arrestor
- Brass ball valves meet ASME A112.18.1
- Water hammer arrestors meet ASSE 1010

4) Fire-Rated Material

- Oatey FireMaster Fire-Rated Washing Machine Outlet Box is made of Bulk Molded Compound (BMC) thermoset plastic fire-rated material
- Oatey FireMaster Fire-Rated Washing Machine Outlet Box drain-piece metal sleeve includes installed intumescent pad
- Up to 1/2" gaps between Oatey FireMaster Fire-Rated Ice Maker Outlet Box and gypsum should be filled with drywall plaster. Gaps exceeding 1/2" must be sealed with firestop sealant the entire depth of the gypsum
- Oatey FireMaster Fire-Rated Washing Machine Outlet Box includes UL Classified FyreWrap® Insulation Material

FyreWrap is a registered trademark of Unifrax I LLC.



OAT/PHV-120-01



LISTINGS and APPROVALS:

ASTM E814

- 1-hour wall: 60 min. (F)
- 1-hour wall: 32 min. (T)
- 2-hour wall: 120 min. (F)
- 2-hour wall: 85 min. (T)

CAN/ULC S115

- 1-hour wall: 60 min. (F/FH)
- 1-hour wall: 32 min. (FT/FTH)
- 2-hour wall: 120 min. (F/FH)
- 2-hour wall: 85 min. (FT/FTH)



Design Specifications
FIREMASTER™
Fire-Rated Ice Maker Outlet Box

1) Wall Construction

- Wood or metal studs
- 1-hour fire-rating, single layer of 5/8" gypsum
- 2-hour fire-rating, two layers of 5/8" gypsum

2) Box Mounting

- Box should be mounted to studs using supplied adjustable mounting brackets
- Brackets must be securely mounted to stud walls with nails or screws
- Adjustable mounting brackets accommodate stud wall spacing from 16" to 24"

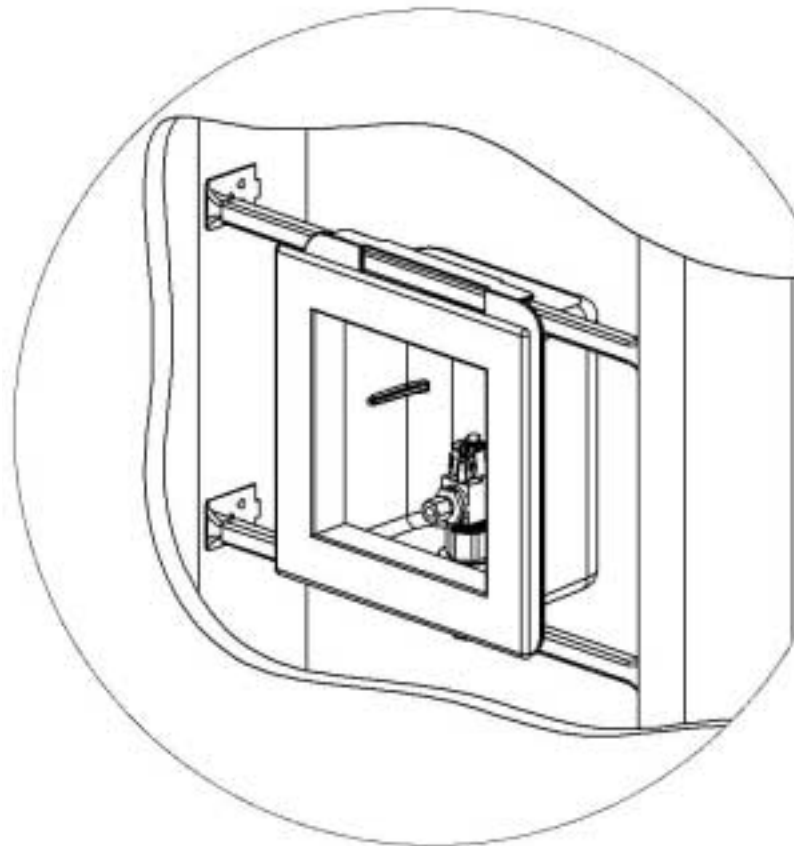
3) Valves

- 1/4-turn brass ball valve with or without water hammer arrestor
- Brass ball valves meets ASME A112.18.1
- Water hammer arrestors meets ASSE 1010

4) Fire-Rated Material

- Oatey FireMaster Fire-Rated Ice Maker Outlet Box is made of Bulk Molding Compound (BMC) thermoset plastic fire-rated material
- Up to 1/2" gaps between Oatey FireMaster Fire-Rated Ice Maker Outlet Box and gypsum should be filled with drywall plaster. Gaps exceeding 1/2" must be sealed with firestop sealant the entire depth of the gypsum
- Oatey FireMaster Fire-Rated Ice Maker Outlet Box includes UL Classified FyreWrap® Insulation Material

FyreWrap is a registered trademark of Unifrax I LLC.



OAT/PHV-120-02

LISTINGS and APPROVALS:

ASTM E814

- 1-hour wall: 60 min. (F)
- 1-hour wall: 32 min. (T)
- 2-hour wall: 120 min. (F)
- 2-hour wall: 78 min. (T)

CAN/ULC S115

- 1-hour wall: 60 min. (F/FH)
- 1-hour wall: 32 min. (FT/FTH)
- 2-hour wall: 120 min. (F/FH)
- 2-hour wall: 78 min. (FT/FTH)